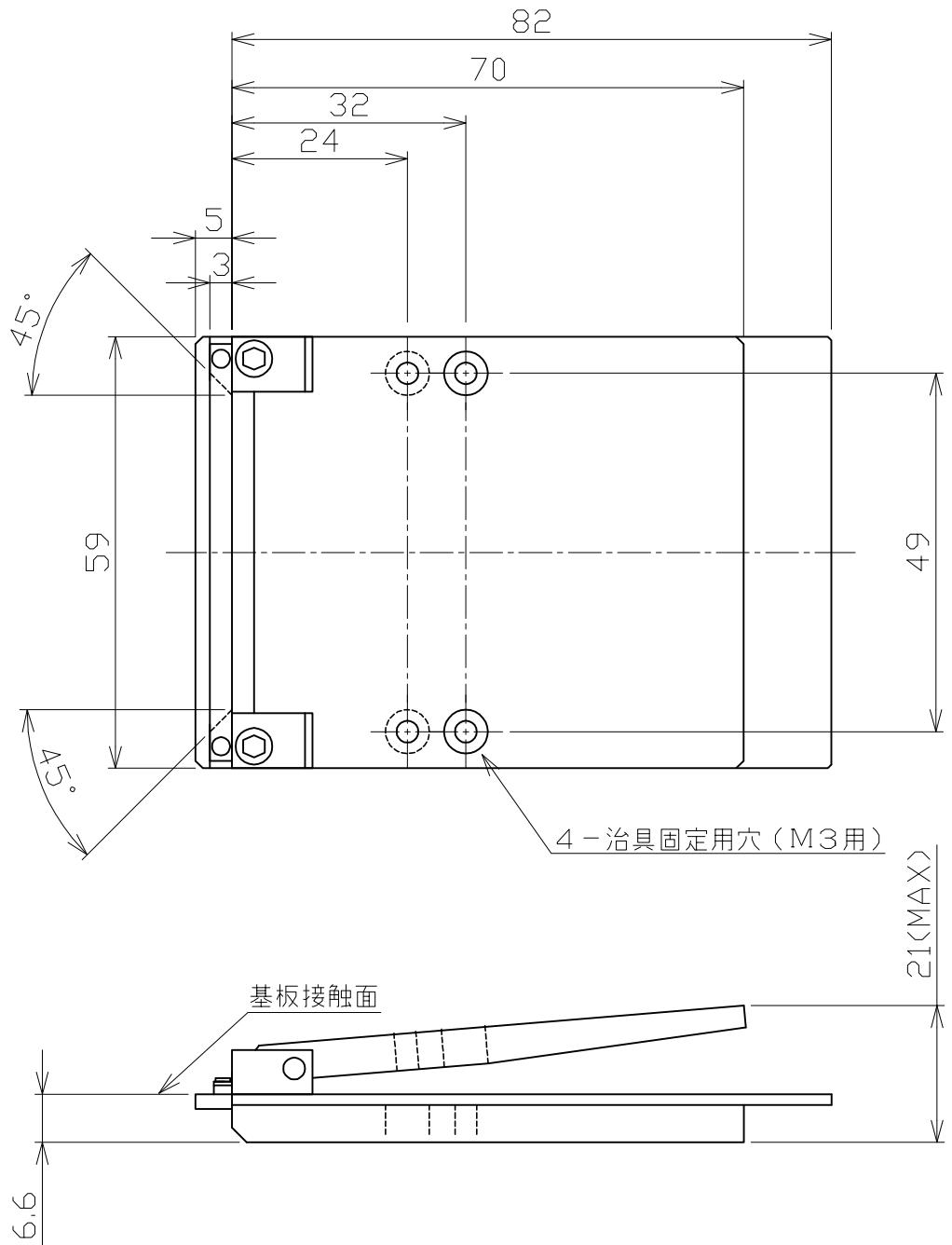


A
B
C
D
E
F

1 2 3 4 5



※寸法採寸不可

| A4 | FCC-40-1.0-FP10.dwg | | | | | |
|--------|---------------------|---------------|-----------|----------|----------|------|
| No. | Name | | Standard | Material | Quantity | Note |
| △ | | | | | | |
| △ | | | | | | |
| △ | | | | | | |
| △ | | | | | | |
| △ | | | | | | |
| △ | | | | | | |
| RevNo. | Date | Revision note | Signature | | | |

Filename
Date 2014/08/01
Scale
Designed by
Checked by
Approved by
kSk
14.08.01
真壁

Part Name FCC-40-1.0-FP10
Machine Name フレキクランパ
Part No. 本体外形図
株式会社システム計測

1 2 3 4 5