

1

2

3

4

5

A

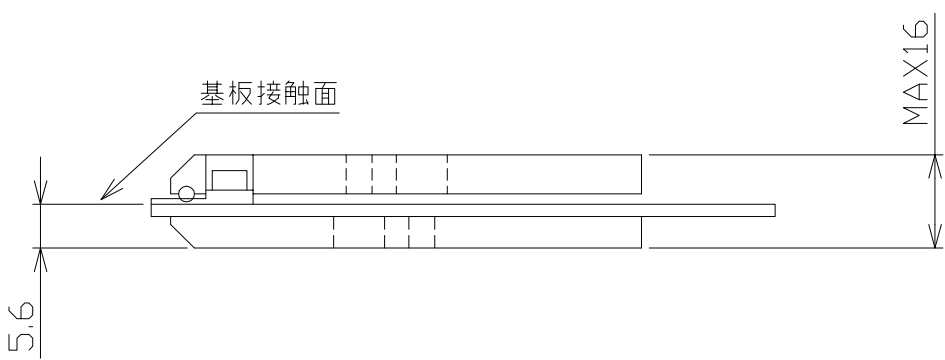
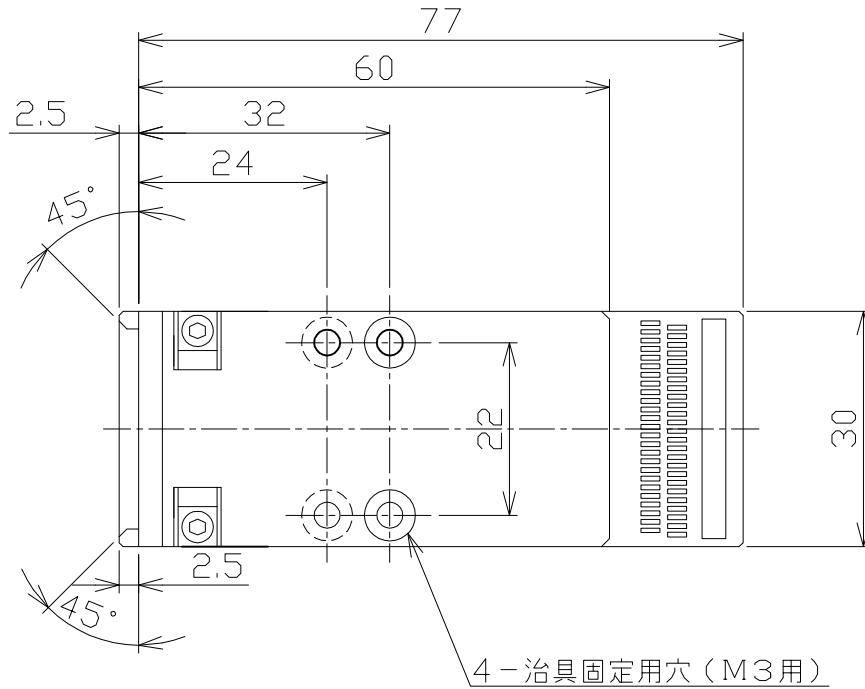
B

C

D

E

F



※寸法採寸不可

A4	FCN-50-0.5-DS.dwg					
No.	Name		Standard	Material	Quantity	Note
△			Filename	Part Name		FCN-50-0.5-DS
△			Date	2014/08/01	Machine Name	
△			Scale	①	フレキランパ	
△			Designed by	Checked by	Approved by	Part No.
△						本体外形図
△					株式会社システム計測	
RevNo.	Date	Revision note	Signature			

1

2

3

4

5