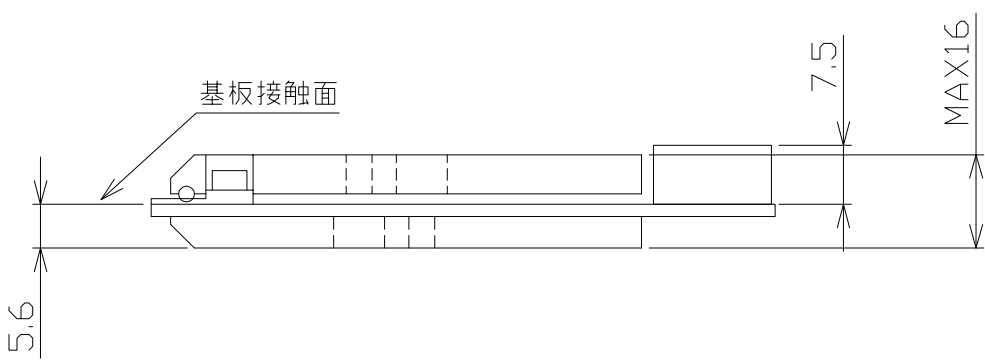
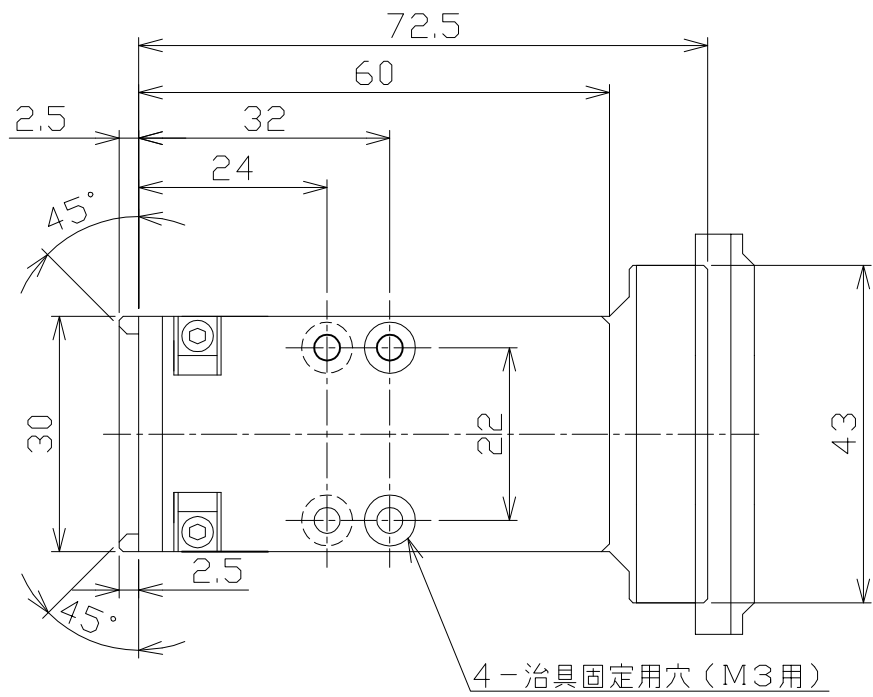


1 2 3 4 5

A
B
C
D
E
F



※寸法採寸不可

A4	FCN-50-0.5-FX.dwg					
No.	Name		Standard	Material	Quantity	Note
△			Filename	Part Name FCN-50-0.5-FX		
△			Date	2014/08/01		
△			Scale	Machine Name フレキランパ		
△			Designed by	Checked by	Approved by	Part No. 本体外形図
△						株式会社システム計測
△						
RevNo.	Date	Revision note	Signature			

1 2 3 4 5