

A

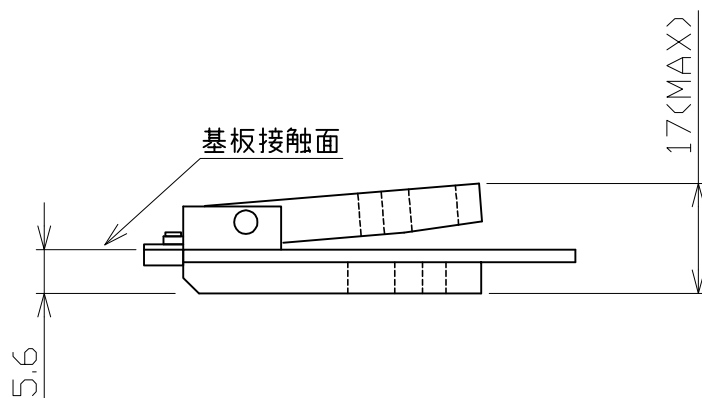
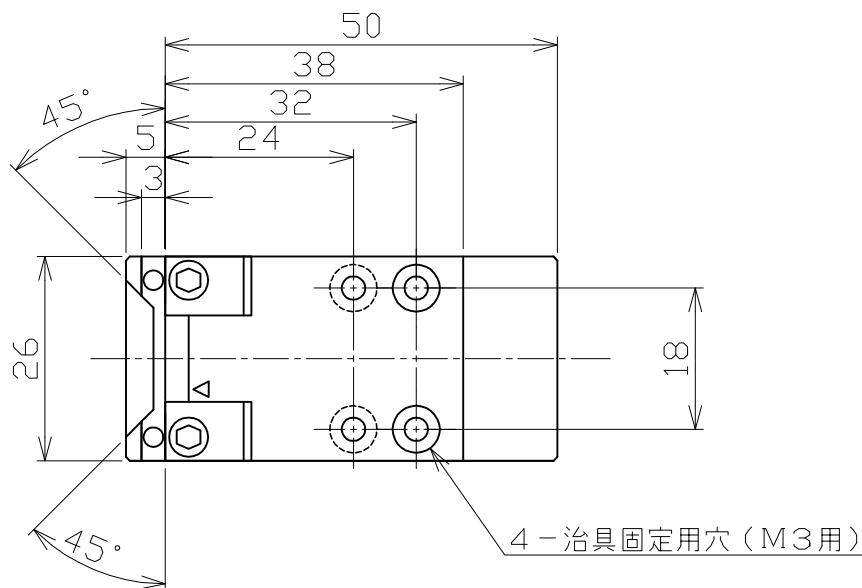
B

C

D

E

F



※寸法採寸不可

A4	FMG-33-0.3-FP3.dwg					
No.	Name		Standard	Material	Quantity	Note
△			Filename		Part Name	FMG-33-0.3-FP3
△			Date	2014/08/01	Machine Name	フレキランパ
△			Scale		Part No.	本体外形図
△			Designed by	Checked by	Approved by	
△					<b>株式会社システム計測</b>	
△						
RevNo.	Date	Revision note	Signature			