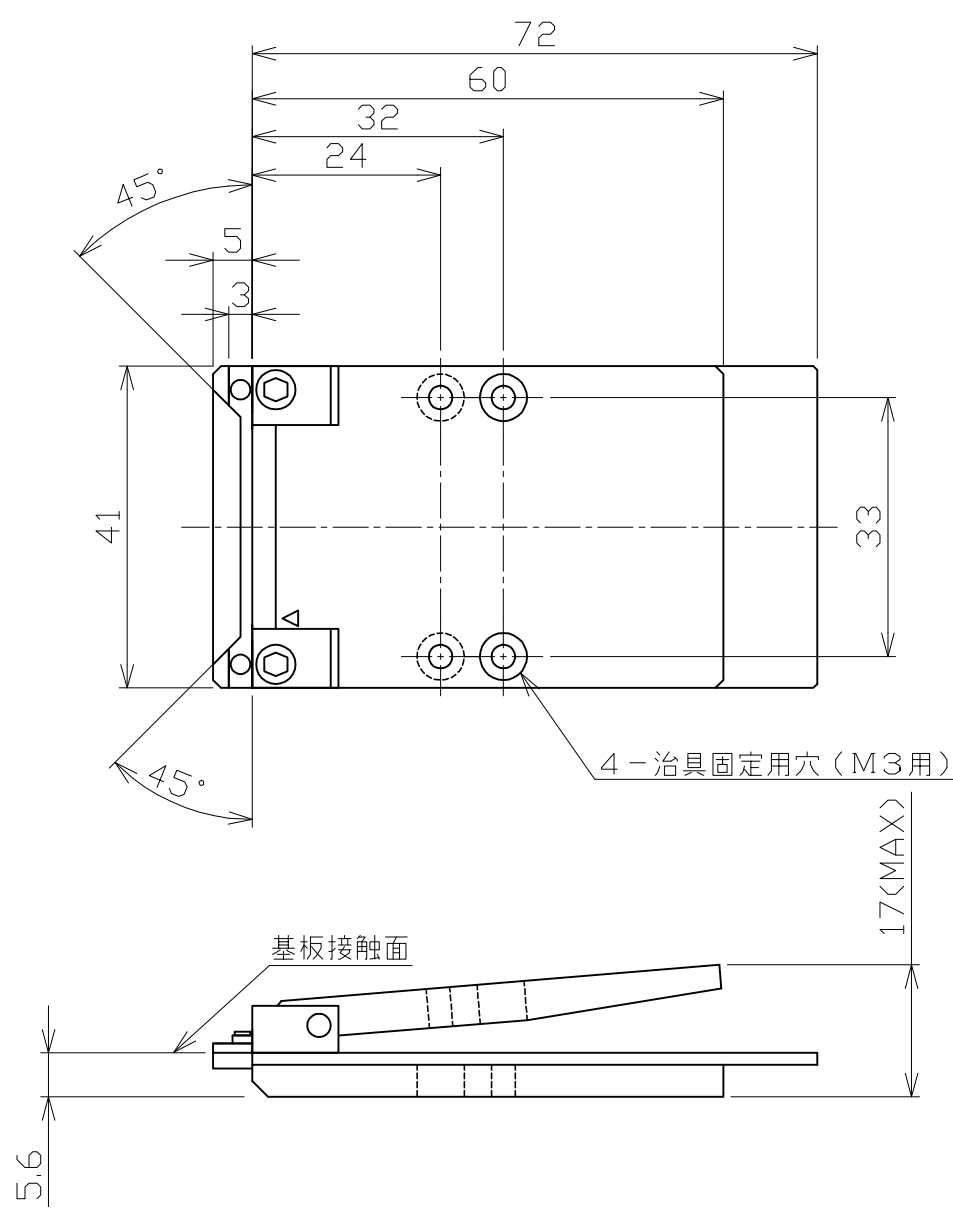


A
B
C
D
E
F



※寸法採寸不可

| | | | | | | |
|--------|--------------------|---------------|----------------|------------|--------------|----------------|
| A4 | FMG-50-0.5-FP5.dwg | | | | | |
| No. | Name | | Standard | Material | Quantity | Note |
| △ | | | Filename | Part Name | | FMG-50-0.5-FP5 |
| △ | | | Date | 2014/08/01 | Machine Name | |
| △ | | | Scale | ① | フレキランパ | |
| △ | | | Designed by | Checked by | Approved by | Part No. |
| △ | | | | | | 本体外形図 |
| △ | | | 株式会社システム計測 | | | |
| △ | | | | | | |
| RevNo. | Date | Revision note | Signature | | | |