

1

2

3

4

5

A

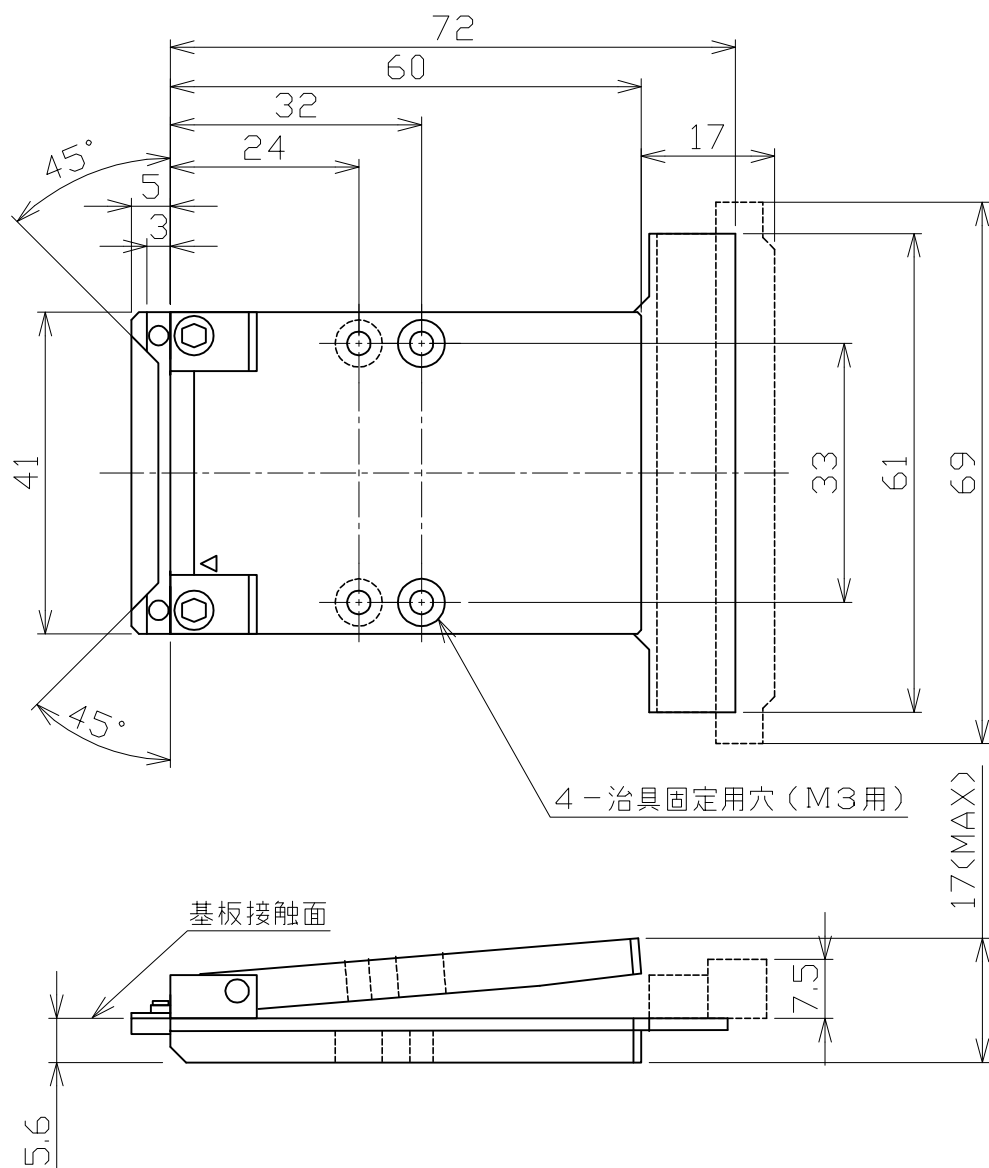
B

C


D

E

F



※寸法採寸不可

A4	FMG-81-0.3-FX.dwg					
No.	Name		Standard	Material	Quantity	Note
△			Filename		Part Name	FMG-81-0.3-FX
△			Date	2014/08/01	Machine Name	フレキランパ
△			Scale	$\frac{1}{1}$	Part No.	本体外形図
△			Designed by	Checked by	Approved by	
△					株式会社システム計測	
△						
RevNo.	Date	Revision note	Signature			

1

2

3

4

5